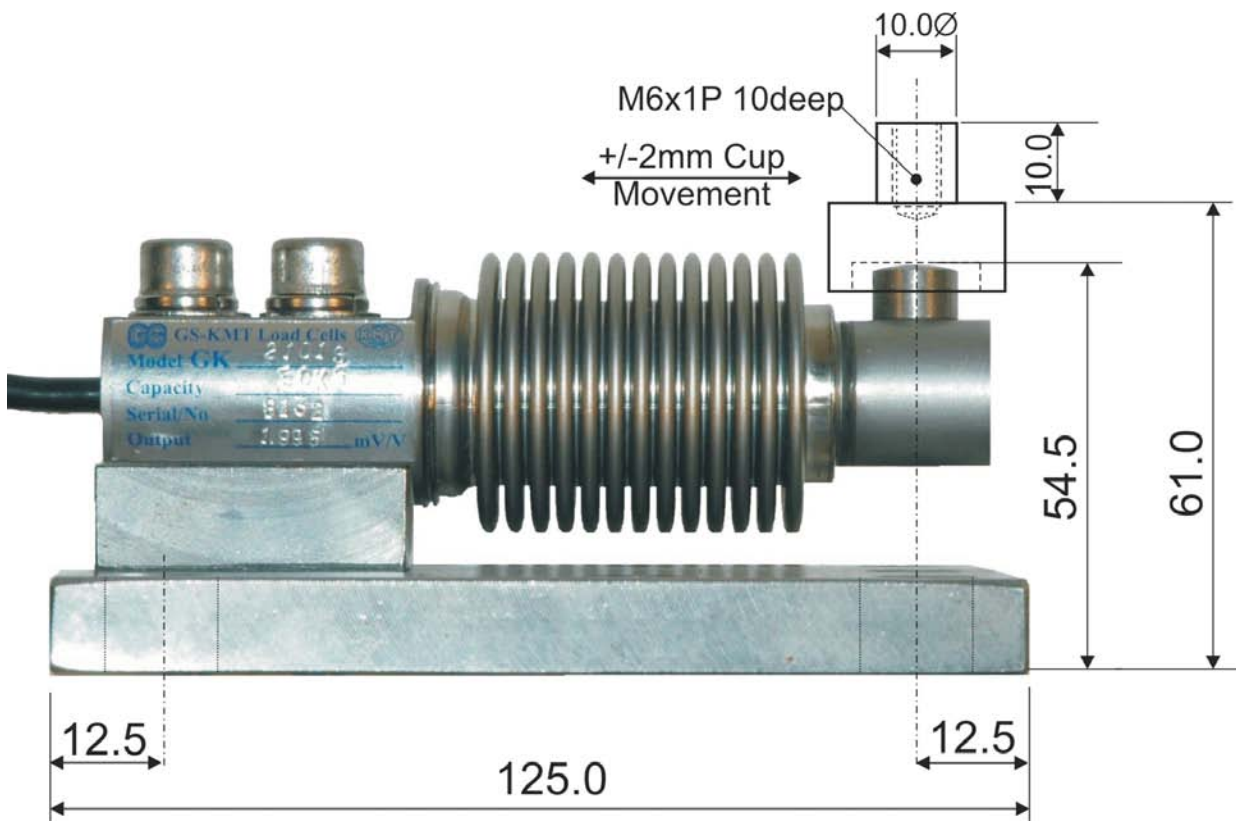
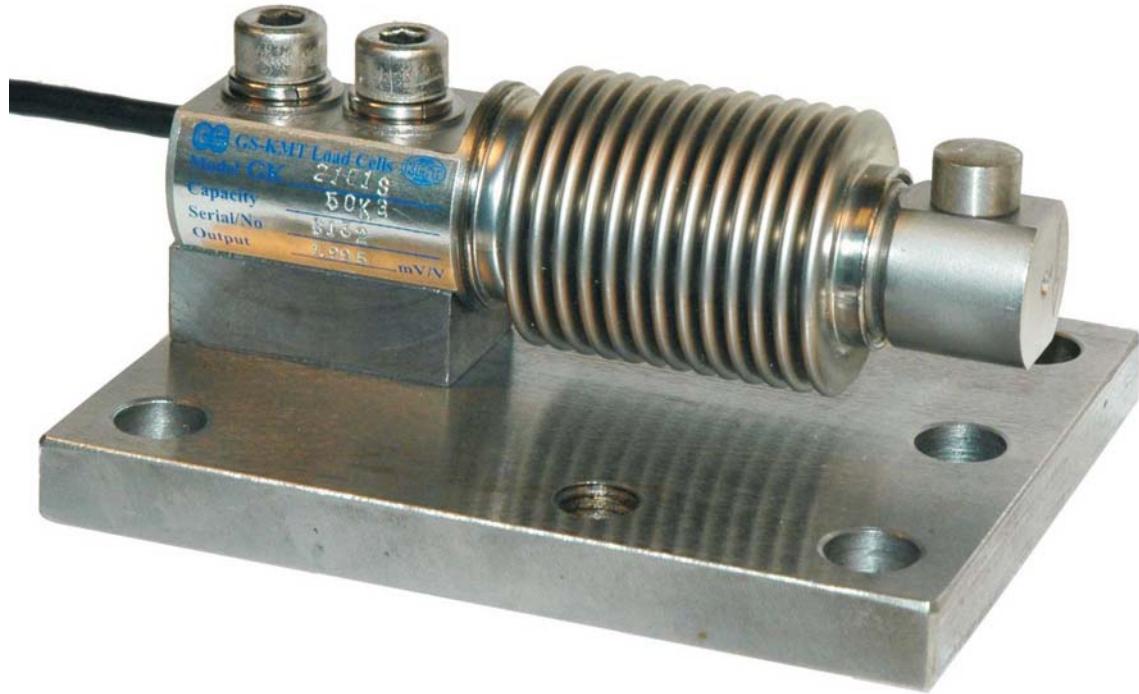




GS-KMT Load Cells



GKBP2101S4 420SS(2Cr13) Base Plate with GK2101S 5kg~500kg IP68 Stainless Steel Bending Beam Load Cell and Load Button.



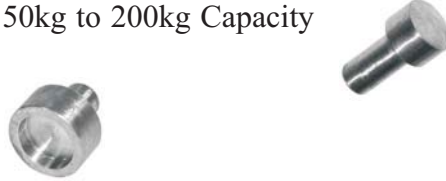
Gedge Systems, 488 Church Street, Richmond, Victoria, 3121 Australia
tel + 61 3 9429 8396 fax + 61 3 9429 8097 email: gs-kmt@gedgesystems.com.au web: www.gedgesystems.com.au

Dimensions of GKBP2101S4 Stainless Steel Base Plate for 5kg - 500kg GK2101S Bending Beam Load Cells

GEDGE SYSTEMS - Since 1978 Australia's Leading Manufacturer of High Accuracy Weighing Electronics now bringing you Superior Quality GS-KMT Load Cells

ORDER:-

- GKBP2101S4 Base Plate in 420(2Cr13) Stainless Steel
- GKSP2101S4 Spacer Plate in 420(2Cr13) Stainless Steel
- M8BSET50S Stainless Steel type 304/A4-70 50mm Bolt & Washer Set (2 of each)
- GK2101S Stainless Steel (17-4PH) Bending Beam Load Cell - capacity to suit application.
- GK-LB21S Stainless Load Button for 50kg to 200kg Capacity or GK-LB35S for 350kg & 500kg



- PLUS GK-LC21 Stainless Load Cup

or GK-GBP21S Stainless Guided Bearing Plate



or GK-FBP21S Stainless Flat Bearing Plate.

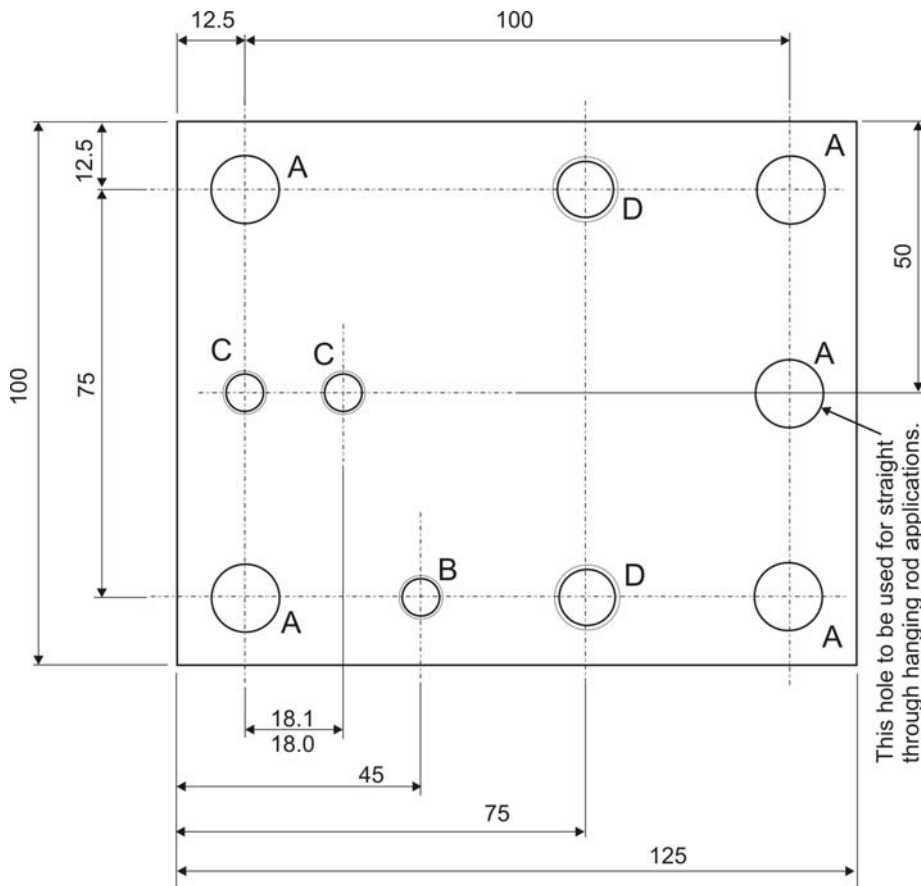


TABLE OF THRU HOLE SIZES

- A - 5 @ 12.5mm (4 - For M10 loose fit or M12 tight fit hold down bolts)
- B - 1 @ M8x1.25P (For Earth Strap Attachment)
- C - 2 @ M8x1.25P (For Load Cell Mounting)
- D - 2 @ M12x1.7P (For Anti Lift Posts)

MATERIAL:-

Stainless Steel 12.5mm Thick type 420(2Cr13) Yield 250MPa
Surface Finish to be fine ground/polished.

18150r2

Gedge Systems, 488 Church Street, Richmond, Victoria, 3121 Australia

tel +61 3 9429 8396 fax +61 3 9429 8097 web: www.gedgesystems.com.au email: gs-kmt@gedgesystems.com.au