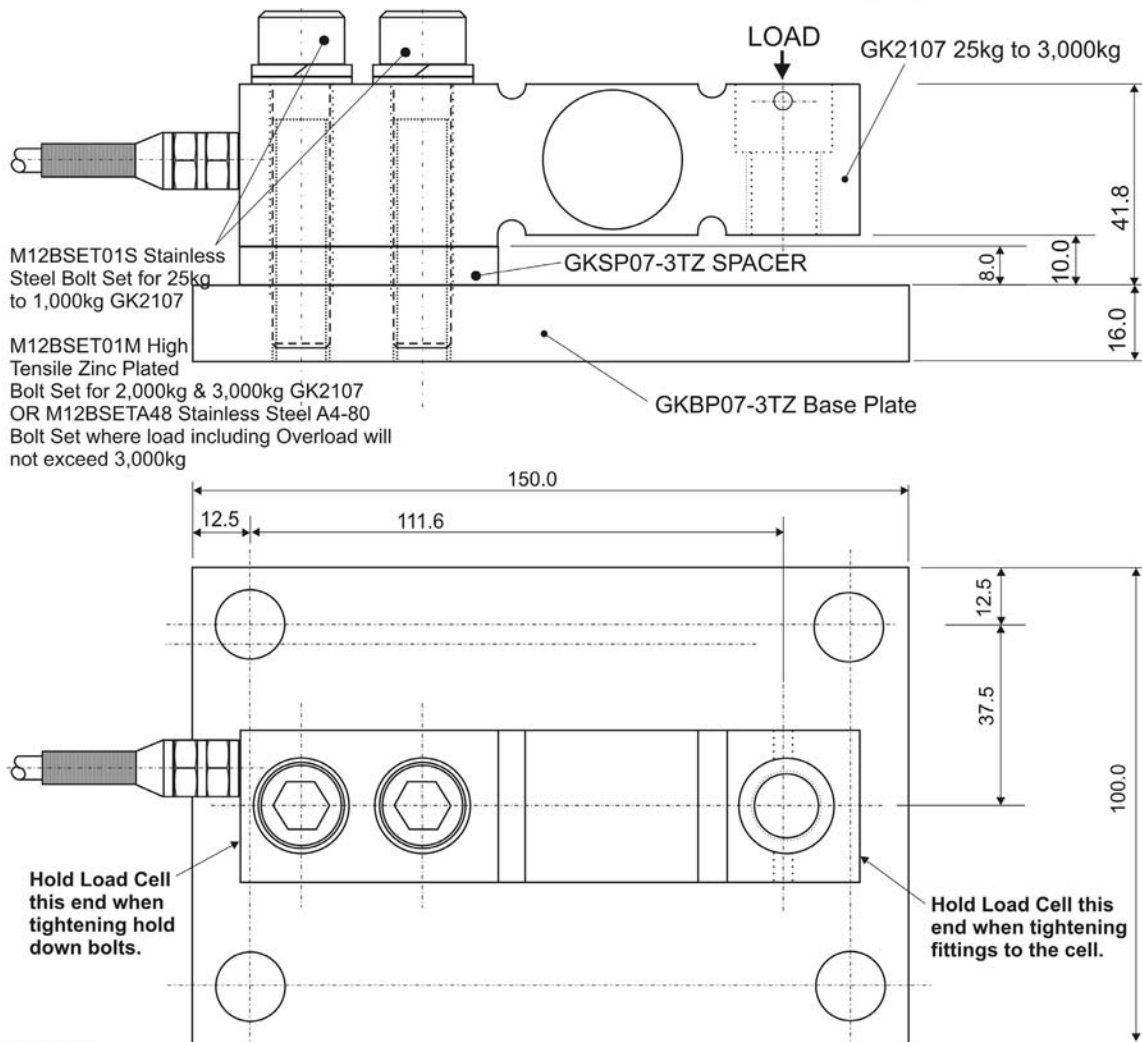


# GKBP07-3TZ Base Plate for 25kg - 3,000kg GK2107 Shear Beam Load Cells

Shown:- GK2107S-10 1,000kg Stainless Steel IP68  
Shear Beam Load Cell on GKBP07-3TZ Base Plate.



18118r4

**Gedge Systems, 488 Church Street, Richmond, Victoria, 3121 Australia**  
tel + 61 3 9429 8396 fax + 61 3 9429 8097 email: [gs-kmt@gedgesystems.com.au](mailto:gs-kmt@gedgesystems.com.au) web: [www.gedgesystems.com.au](http://www.gedgesystems.com.au)

# Dimensions of GKBP07-3TZ Base Plate for 25kg - 3,000kg GK2107 & GK2107S Shear Beam Load Cells

**GEDGE SYSTEMS - Since 1978 Australia's Leading Manufacturer of High Accuracy Weighing Electronics**

**ORDER:- For 25kg-1,000kg GK2107/S:-**

- GKBP07-3TZ Base Plate
- GKSP07-3TZ Spacer Plate
- M12BSET01S SS316 A4-70 Bolt Set

**TIGHTEN** bolts to 5kg-m (49N-m) for 25kg to 1,000kg Capacity GK2107.

**ORDER:- For 2,000kg & 3,000kg GK2107/S:-**

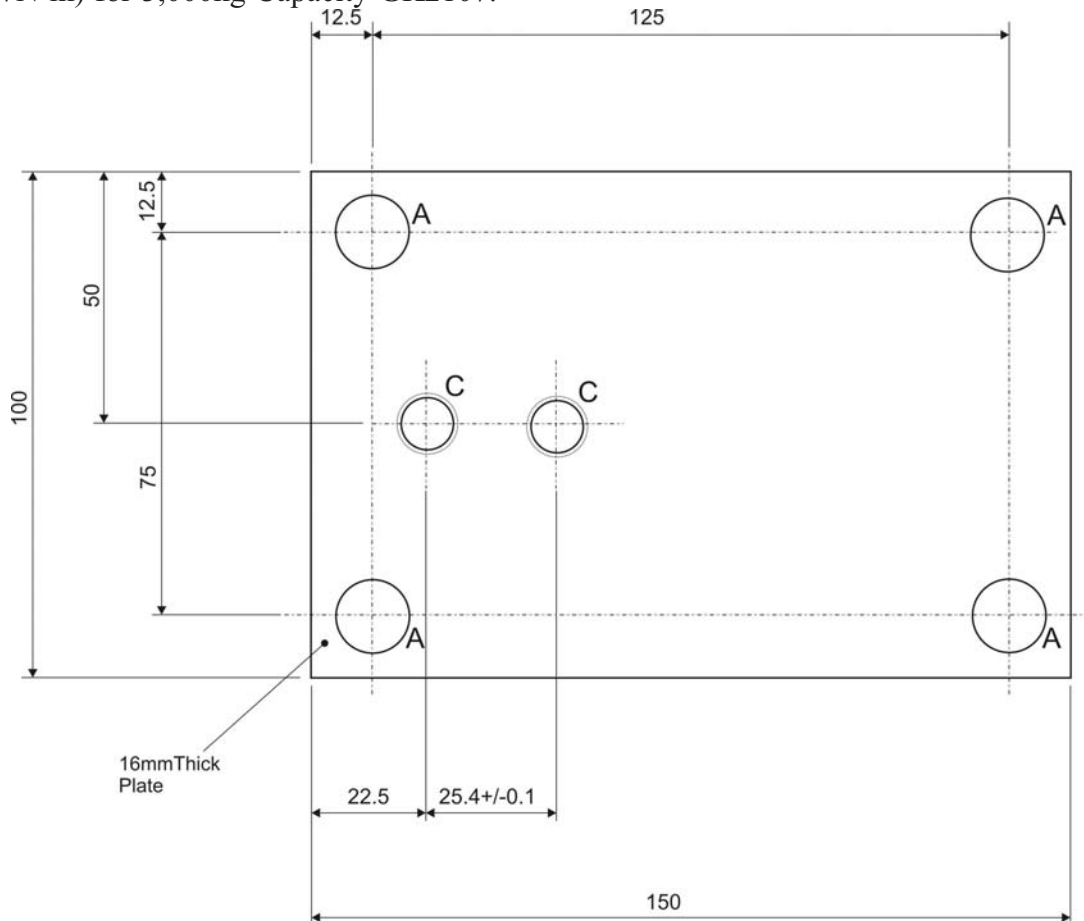
- GKBP07-3TZ Base Plate
- GKSP07-3TZ Spacer Plate
- M12BSET01M Grade 12.9 Zinc Plate Bolt Set
- M12BSET01N Grade 12.9 Ni Plated Bolt Set

**TIGHTEN** bolts to 9kg-m (88N-m) for 2,000kg & 13kg-m (127N-m) for 3,000kg Capacity GK2107.

**ORDER:- For 2,000kg & 3,000kg GK2107/S where 3,000kg will not be exceeded including Over Load:-**

- GKBP07-3TZ Base Plate
- GKSP07-3TZ Spacer Plate
- M12BSETA48 SS316 A4-80 Bolt Set.

**TIGHTEN** bolts to 9kg-m (90N-m) for both the 2,000kg & 3,000kg Capacity GK2107.



**TABLE OF THRU HOLE SIZES**

- A - 4 @ 14.5mm (For M12 hold down bolts)
- B - no B holes
- C - 2 @ M12x1.75P (For Load Cell Mounting)
- D - 2 @ M16x2P (For Anti Lift Posts)

**MATERIAL:-**

16mm thick C45 Steel (AS1045) 550MPa Yield.

**FINISH**

Fine ground then ELECTRO ZINC PLATE

18167r2

**Gedge Systems, 488 Church Street, Richmond, Victoria, 3121 Australia**

**tel + 61 3 9429 8396 fax + 61 3 9429 8097 email: [gs-kmt@gedgesystems.com.au](mailto:gs-kmt@gedgesystems.com.au) web: [www.gedgesystems.com.au](http://www.gedgesystems.com.au)**