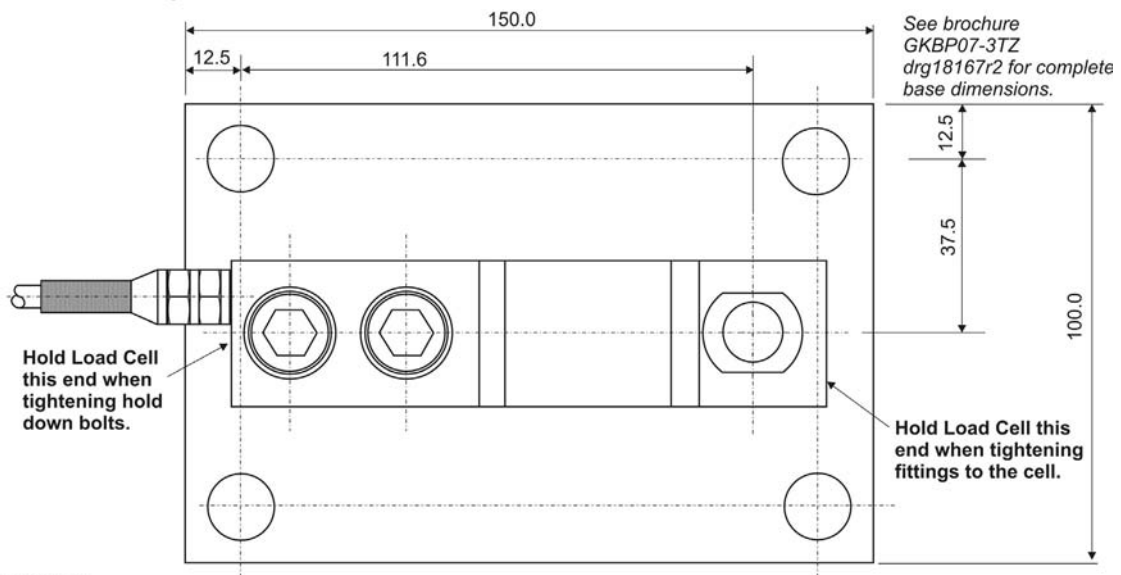
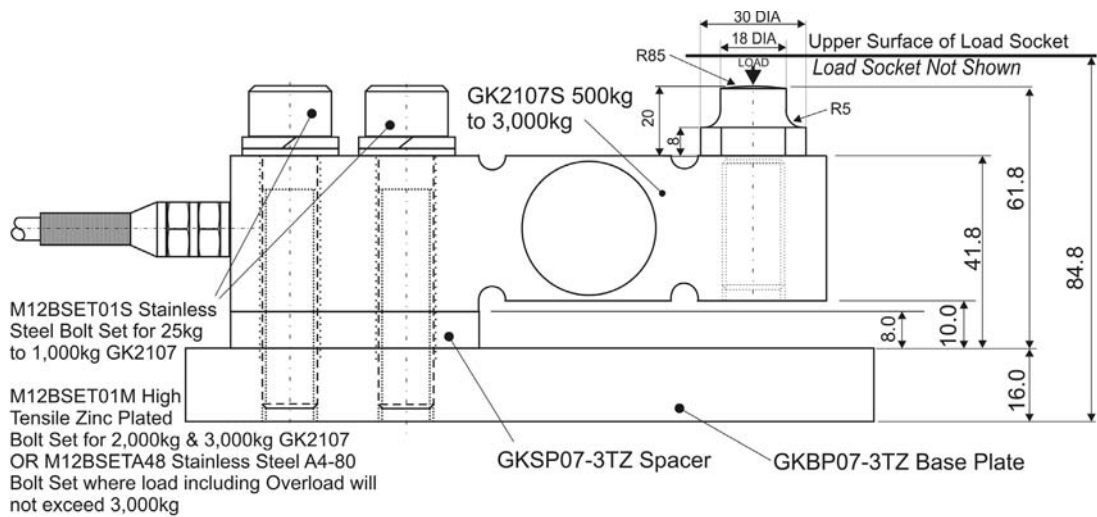




GS-KMT Load Cells



GKBP07-3TZ Base Plate with GK2107S 500kg~3,000kg IP68 Stainless Shear Beam Load Cell & Load Button



18151r2

Gedge Systems, 488 Church Street, Richmond, Victoria, 3121 Australia

Dimensions of GKBP07-3TZ Base Plate for 25kg - 3,000kg GK2107 & GK2107S Shear Beam Load Cells

GEDGE SYSTEMS - Since 1978 Australia's Leading Manufacturer of High Accuracy Weighing Electronics

ORDER:- For 25kg-1,000kg GK2107/S:-

- GKBP07-3TZ Base Plate
- GKSP07-3TZ Spacer Plate
- M12BSET01S SS316 A4-70 Bolt Set

TIGHTEN bolts to 5kg-m (49N-m) for 25kg to 1,000kg Capacity GK2107.

ORDER:- For 2,000kg & 3,000kg GK2107/S:-

- GKBP07-3TZ Base Plate
- GKSP07-3TZ Spacer Plate
- M12BSET01M Grade 12.9 Zinc Plate Bolt Set
- M12BSET01N Grade 12.9 Ni Plated Bolt Set

TIGHTEN bolts to 9kg-m (88N-m) for 2,000kg & 13kg-m (127N-m) for 3,000kg Capacity GK2107.

ORDER:- For 2,000kg & 3,000kg GK2107/S where 3,000kg will not be exceeded including Over Load:-

- GKBP07-3TZ Base Plate
- GKSP07-3TZ Spacer Plate
- M12BSETA48 SS316 A4-80 Bolt Set.

TIGHTEN bolts to 9kg-m (90N-m) for both the 2,000kg & 3,000kg Capacity GK2107.

ORDER:-

25kg~250kg GKLB-12S Load Button
500kg~3,000kg GKLB-16S Load Button
plus GKLS12-18S Load Socket

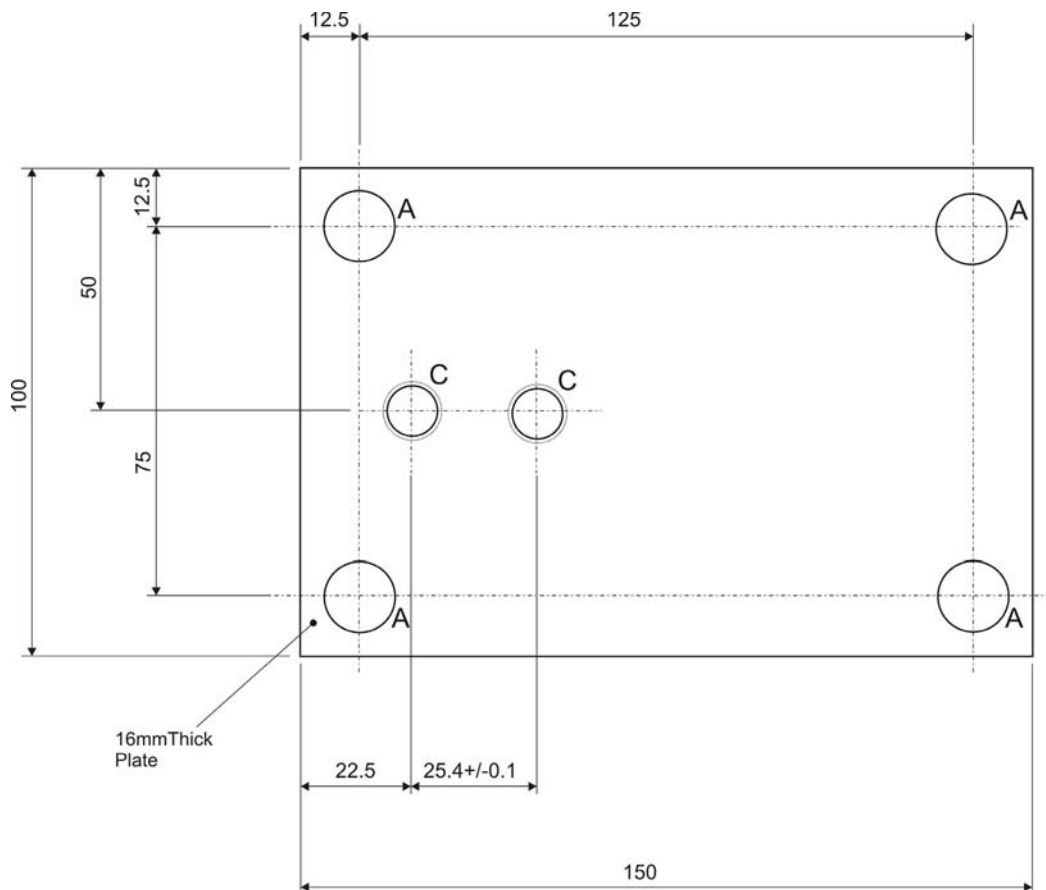


TABLE OF THRU HOLE SIZES

A - 4 @ 14.5mm (For M12 hold down bolts)
B - no B holes
C - 2 @ M12x1.75P (For Load Cell Mounting)
D - 2 @ M16x2P (For Anti Lift Posts)

MATERIAL:-
16mm thick C45 Steel (AS1045) 550MPa Yield.
FINISH
Fine ground then ELECTRO ZINC PLATE

18167r2

Gedge Systems, 488 Church Street, Richmond, Victoria, 3121 Australia
tel + 61 3 9429 8396 fax + 61 3 9429 8097 email: gs-kmt@gedgesystems.com.au web: www.gedgesystems.com.au